

iCall 317 LB-CT

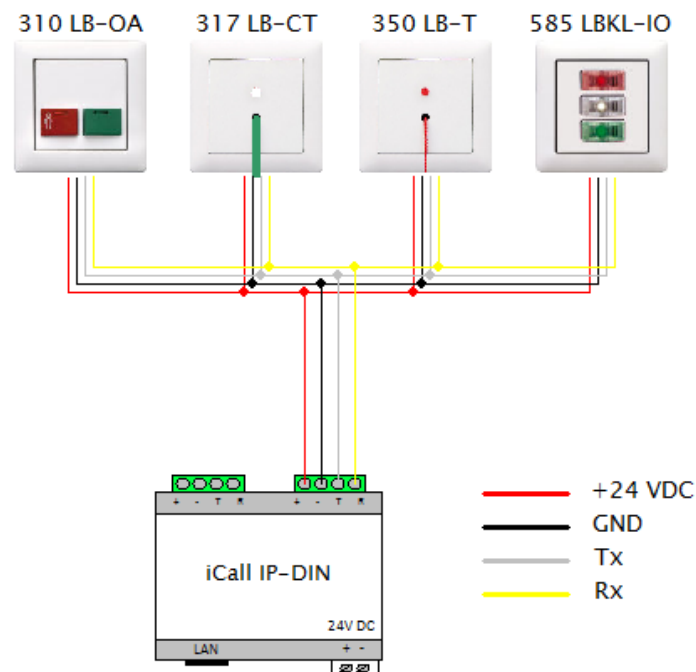
This new iCall 317 LB-CT pull cord button is a new feature button. It is a direct cancellation of a room call. No presence function in the room is required to cancel the call.

**Features**

- Cancel room call immediately
- Green pull cord (Nylon, 2Meter)
- Safety break-away included
- Counts as one address on the Local Bus
- Button is supervised by the IP-unit

Connections

- + 24V DC
- - GND
- Tx Data
- Rx Data

**Order information**

NWBAES2170 iCall 317 LB-CT

Version

HW: iCall_LB-CT V1.1
SW: iCall_LB-CT V1.0

iCall LB-CT V1.1

General Absolute Maximum Ratings !

		min	typ	max	unit
Supply Voltage	V _{cc}	18	24	30	V
Supply Current forward	I _f	-	-	20	mA
Operating Temperature (ambient)	T _{amb}	0	-	65	°C
Maximum reverse voltage	V _r	-	40	-	V
Leakage current (reverse)	I _r	-	30	-	µA

Mechanical properties

Parameter		min	typ	max	unit	
Dimensions (Total Assembly)	L x W x H	metric	71 x 71 x 30	-	mm	
	L x W x H	non-metric	27,95" x 27,95" x 11,81"	-	" (inch)	
	L x W x H	non-metric	2795 x 2795 x 1181	-	mils	
Weight	PCB	pounds	0,0298	-	lbs	
		metric	0,0135	-	kg	
	Pull strings	pounds	0,0386	-	lbs	
		metric	0,0175	-	kg	
	Total Assembly	pounds	0,1554	-	lbs	
		metric	0,0705	-	kg	
lense	Type of material	TARFLON AZ1900T.pdf			-	
	Plastic cover	Type of material	thermoplastic (Gira-55)			-
	PCB	Type of material	FR-4, Td>=325°C, T260>=60', T288>=5', CTEz<=3.7%, Tg>=135°C			-

General Electrical properties

Symbol	Parameter	State	min	typ	max	unit
V _{cc}	Operating Voltage	-	18	24	30	V dc
I _f	Forward Supply Current (Idle)	@18V dc supply	-	6,54	-	mA
		@24V dc supply	-	9,51	-	mA
		@30V dc supply	-	12,57	-	mA
I _f	Forward Supply Current (Call) <u>without buzzer</u>	@18V dc supply	-	10,40	-	mA
		@24V dc supply	-	14,85	-	mA
		@30V dc supply	-	19,27	-	mA
I _f	Forward Supply Current (Assistance) <u>with buzzer</u>	@18V dc supply	-	8,89	-	mA
		@24V dc supply	-	10,36	-	mA
		@30V dc supply	-	16,65	-	mA
P _t	Power Consumption (Idle)	@18V dc supply	-	118	-	mW
		@24V dc supply	-	228	-	mW
		@30V dc supply	-	377	-	mW
P _t	Power Consumption (Call) <u>without buzzer</u>	@18V dc supply	-	187	-	mW
		@24V dc supply	-	356	-	mW
		@30V dc supply	-	578	-	mW
P _t	Power Consumption (Assistance) <u>with buzzer</u>	@18V dc supply	-	160	-	mW
		@24V dc supply	-	249	-	mW
		@30V dc supply	-	500	-	mW
T _a	Operating temperature		-20	-	65	°c
			-4	-	149	°F

Operation / button specific properties

Parameter		min	typ	max	unit
Control buttons	type	Pull string			
indicators	Buzzer	Call following; Assistance; Urgence			
	LED	Call (toilet); Call following; Assistance; Urgence			
Pull string	Activation force perpendicular (vertically downwards)	min	typ	max	
		-	3,63	-	N
		-	0,37	-	kg
		-	0,815702	-	lbs
Buzzer interval	ratio Ton / Toff	Call following	ON=1000 OFF=11500	-	ms
		Urgence	ON=1000 OFF=1000	-	ms
		Assistance	ON=350 OFF=350	-	ms

Additional Components

Component	Use	min	typ	max	unit
Pull String	Safety Break-away Force (measurement doc)	-	20	-	kg
	Material patient cord	-	44,1	-	lbs
	Couple cord (piece before safety break-away)	PVC cord with PES-core: diameter 2,7 +/- 0,1 mm PES, diameter 1,3 mm			

Regulations

Parameter	condition	Compliance
VDE 834-1 & 834-2	conform	meets regulatory
EMC (immunity, radiated, conducted)	conform	iCall DECLARATION OF CONFORMITY.doc.pdf
ESD	conform	iCall DECLARATION OF CONFORMITY.doc.pdf
FCC	-	not yet performed